

Silensor Pro[®]

A PUMP LIKE
NO OTHER

APPLICATION

Ideal for pool filtration, water features,
and pool & spa heating systems



NEW



residential



pool pump

VARIABLE SPEED SUPER QUIET POOL PUMP

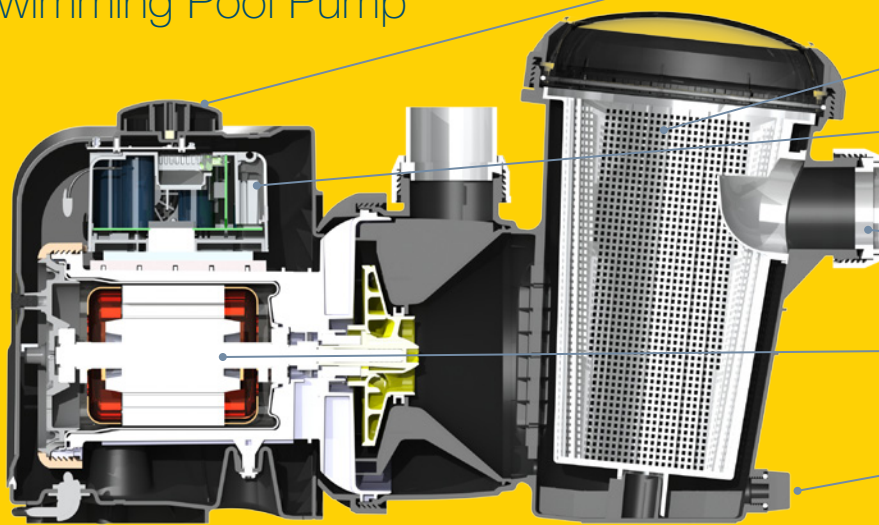
- ⇒ High efficiency variable speed - saves money for the consumer
- ⇒ Water cooled design that runs quieter with less vibration - 55dBa on high speed
- ⇒ No programming required - quick and easy for the pool professional
- ⇒ 10 Filtration speeds plus Backwash mode - easy for the professional and consumer to "set and forget"
- ⇒ Loss of prime protection - minimises damage if the pump runs dry
- ⇒ Thermal cut out, no need for additional safety switch - saves money for the installer
- ⇒ Extra-large 4.5 litre leaf basket - less cleaning required



DAVEY

Depend on Davey

DAVEY Silensor Pro[®] Swimming Pool Pump



- **Variable Frequency Drive** with selectable speed dial from 1500rpm to 3600rpm (Backwash mode at 3800rpm)
- **Large Leaf Basket** with easy to remove, clear lid
- **Loss of prime protection** to protect the pump when there is no water inside the pump
- **Quality ABS quick coupling barrel unions** for simple installation
- **High performance water cooled motor** for quiet, efficient use all year round
- **Drain plug** enables quick draining of the casing for easy removal and maintenance

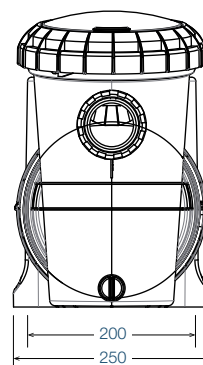
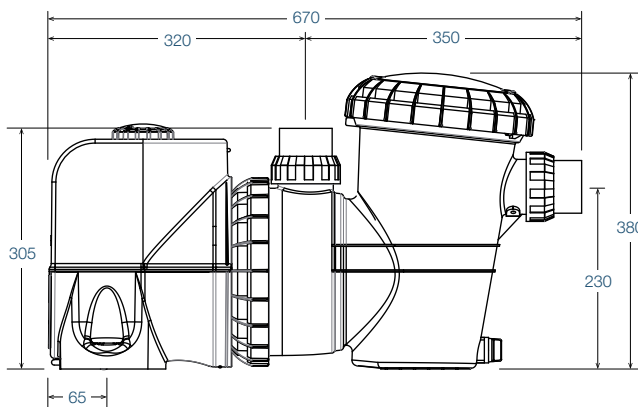
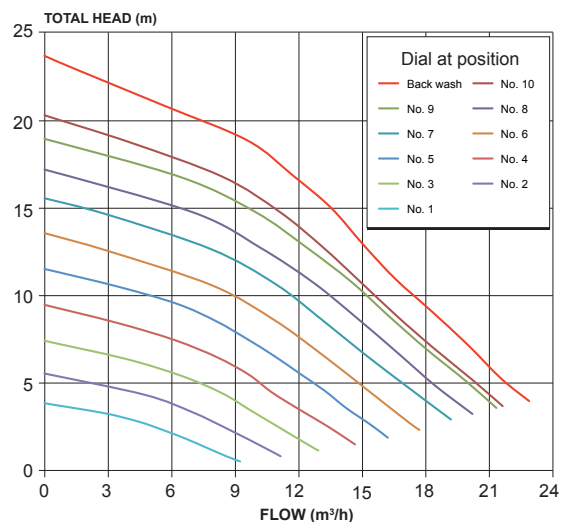
Made in Australia • CE

| | | |
|-----------------|--------------------------|---------------------------------------------------------------------------------------------------|
| ELECTRICAL DATA | Model | SP200SV |
| | Voltage (V) | 220/240 |
| | Supply Freq (Hz) | 50/60 |
| | Motor Input Power (W/hp) | 116W/0.16hp @ Dial 1 488W/0.65hp @ Dial 5 1000W/1.34hp @ Dial 10 1316W/1.76hp @ Backwash |
| | Motor Speed (rpm) | 1500 to 3600 |
| | Backwash (rpm) | 3800 |
| | Enclosure Class (IP) | 45 |
| | Insulation Class | F |
| Lead Length | 3m | |

| | | |
|------------------|-------------------------|--------|
| OPERATING LIMITS | Max Water temperature | 40°C |
| | Max ambient temperature | 50°C |
| | Noise level (AS 5102.2) | 50dBa* |

*At speed 1

HYDRAULIC PERFORMANCE



| | | | |
|------------|-------------------------|------------------|-----------------|
| DIMENSIONS | Mounting Holes Diameter | Inlet/Outlet PVC | Net Weight (kg) |
| | 10 | 50 | 14 |

www.daveyeurope.eu / info@daveyeurope.eu

This literature is not a complete guide to product usage. Further information is available from your Davey Dealer, Davey Support Centre, and from the relevant product Installation and Operating Instructions. Must be read in conjunction with the relevant product Installation and Operating Instructions and all applicable statutory requirements. Product specifications may change without notice. © Davey is a registered trademark of Davey Water Products Pty Ltd. © Davey Water Products Pty Ltd 2015.



Depend on Davey